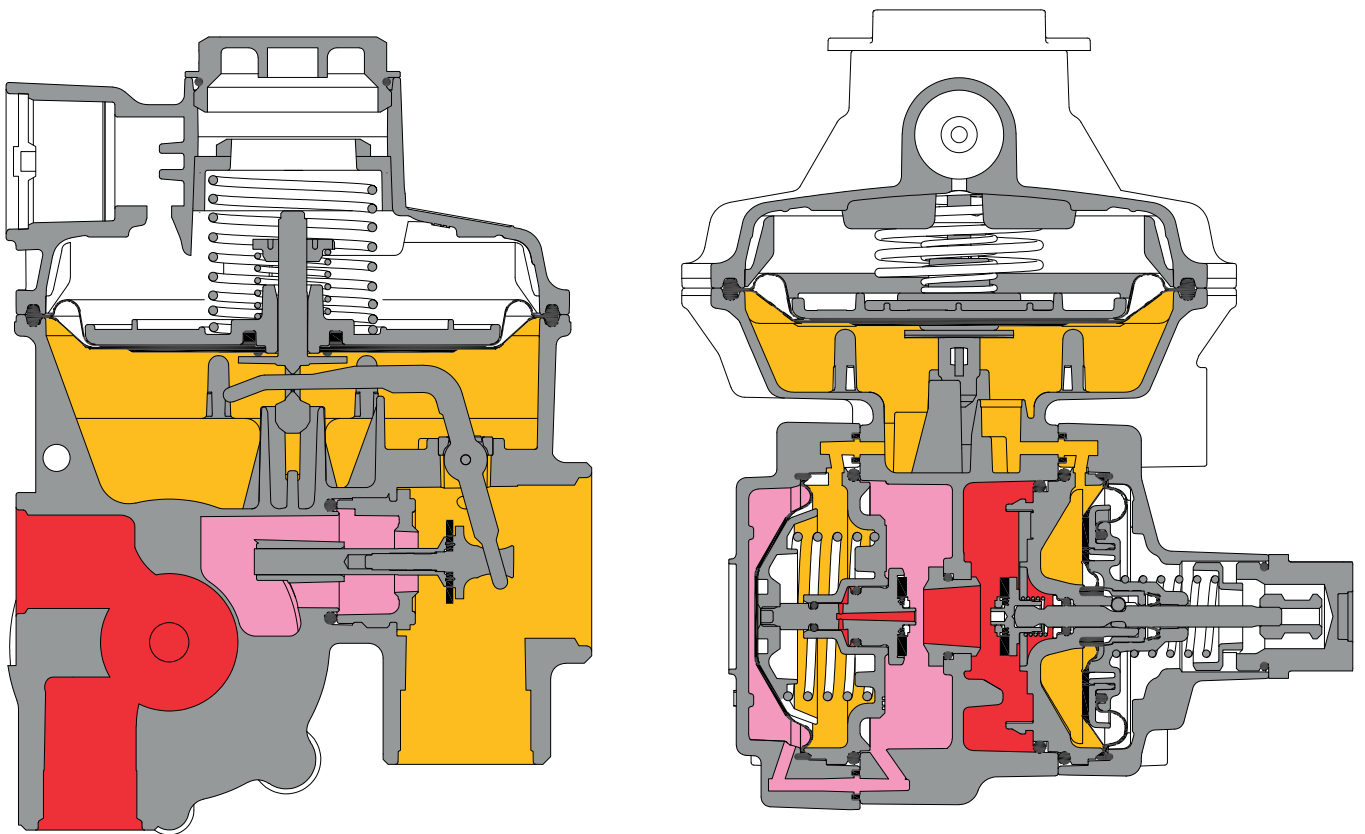


FE25, FE50



PT0142ENG September 24

 Inlet Pressure  Intermediate Pressure  Outlet Pressure